



The new degree of comfort.™

Rheem Value Series Downflow Gas Furnace

RGLS- Series

80% A.F.U.E.†

Input Rates 50-150 kBTU



†A.F.U.E. (Annual Fuel Utilization Efficiency) calculated in accordance with Department of Energy test procedures.

- The Rheem Value Series line of downflow gas furnaces is designed for installation in closets, alcoves, utility rooms, or attics. The design is certified by CSA International.
- Innovative design results in reliable, efficient operation at sound levels which provide distinct competitive advantage.
- Patented heat exchanger, constructed of both stainless and aluminized steel for the maximum in corrosion resistance.
- Low profile “34 inch” [864 mm] design is lighter and easier to handle, and leaves room for optional equipment.
- Left or right side gas and electric inlet connections with quick, simple change.
- Direct Spark ignition.
- Integrated board with humidifier and electronic air cleaner hookups.
- Pre-paint galvanized steel cabinet.
- Grab-holes in doors to aid in easy door removal and replacement.
- A variety of cooling coils and plenums designed to use with Rheem Value Series gas furnaces are available as optional accessories.

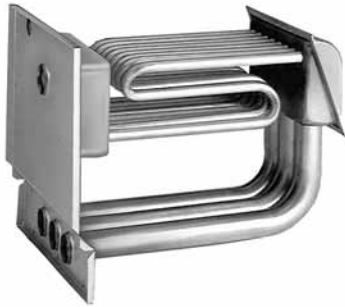


TABLE OF CONTENTS

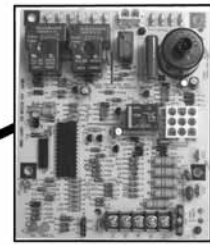
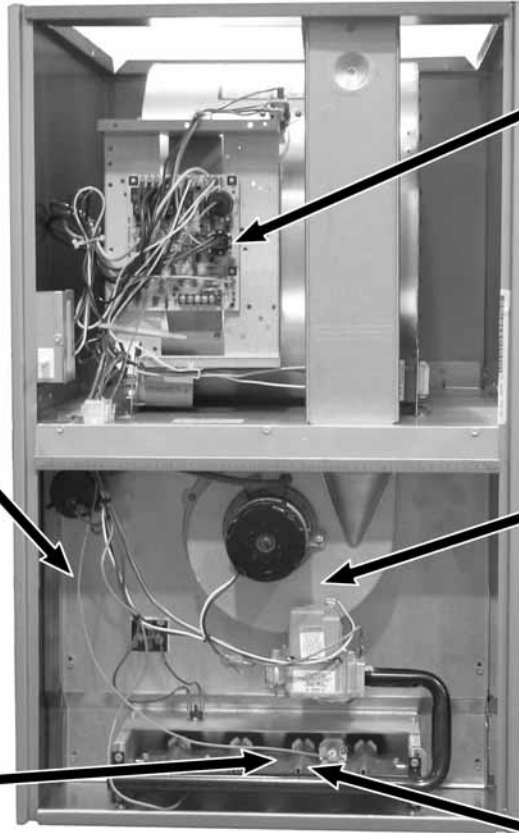
Standard & Optional Equipment	3
Model Features/Physical Data & Specifications.....	4
Model Number Identification	5
Dimensional Data.....	6
Blower Performance Data.....	7
Accessories.....	8
Limited Warranty	9



HEAT EXCHANGER

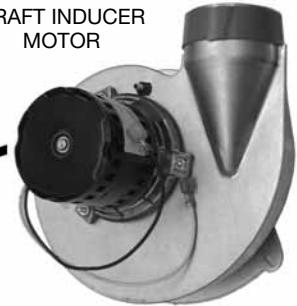


DIRECT SPARK IGNITOR
WITH REMOTE SENSE

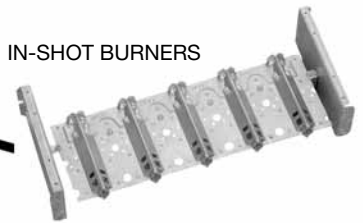


INTEGRATED
FURNACE
CONTROL

DRAFT INDUCER
MOTOR



IN-SHOT BURNERS



STANDARD EQUIPMENT

Completely assembled and wired; induced draft; pressure switch; redundant main gas control; blower compartment door safety switch; solid state time on/time off blower control; limit control; manual shut-off valve, pressure regulator for natural and L.P. (propane) gas; transformer; direct drive multi-speed blower motor. Furnaces are equipped with cooling/heating relay and transformer (40VA) ready for air conditioning applications. (Please note: a thermostat is not included as standard equipment.) Flame sensor diagnostics; on-board twinning; fused-protection (secondary), **3rd speed option for continuous fan; common heat/cool terminal.**

OPTIONAL EQUIPMENT

NOTE: Furnace is not listed for use with fuels other than natural or L.P. (propane) gas.

The complete terms of limited and other warranties are available at our sales office, or through local installer.

All models can be converted by a qualified Rheem distributor or local service dealer to use L.P. (propane) gas without changing burners. Factory approved kits must be used to convert from natural to L.P. (propane) gas and may be ordered as optional accessories from a Rheem parts distributor.

For L.P. (propane) operation, refer to Conversion Kit Index Form.

NOTE: For natural and L.P. (propane) gas models, direct spark ignition is 100% lockout type.

WARNING
THIS FURNACE IS NOT APPROVED
OR RECOMMENDED
FOR USE IN MOBILE HOMES

Model Features

- Innovative design results in reliable, efficient operation at sound levels which provide distinct competitive advantage.
- Patented heat exchanger, constructed of both stainless and aluminum steel for the maximum in corrosion resistance.
- Low profile “34 inch” [864 mm] design is lighter and easier to handle, and leaves room for optional equipment.
- Left or right side gas and electric inlet connections with quick, simple change.
- Direct Spark ignition.
- Integrated board with humidifier and electronic air cleaner hookups.
- Pre-paint galvanized steel cabinet.
- Grab-holes in doors to aid in easy door removal and replacement.

Physical Data and Specifications

U.S. and Canadian Models

MODEL NUMBERS RGLS-	05EAUER	07EAUER	07EAMGR	10EAMER	10EBRGR	10EBRJR	12EARJR	15EARJR
Input-BTU/Hr [kW] ②	50,000 [15]	75,000 [22]	75,000 [22]	100,000 [29.3]	100,000 [29.3]	100,000 [29.3]	125,000 [36.6]	150,000 [44]
Heating Capacity BTU/Hr [kW] ①	41,000 [12]	60,500 [18]	60,500 [18]	80,000 [23]	80,000 [23]	81,000 [24]	99,000 [29]	120,000 [35]
High Altitude Input [kW]	45,000 [13]	67,500 [19.8]	67,500 [19.8]	90,000 [26.4]	90,000 [26.4]	90,000 [26.4]	112,500 [33]	135,000 [39.6]
High Altitude Output Capacity [kW]	36,500 [10.7]	54,000 [15.8]	54,000 [15.8]	72,000 [21.1]	72,000 [21.1]	72,500 [21.2]	89,000 [26.1]	107,500 [31.5]
Heat Ext. Static Pressure [kPa]	.10 [.025]	.12 [.029]	.12 [.029]	.15 [.037]	.15 [.037]	.15 [.037]	.20 [.05]	.20 [.05]
Blower (D x W) [mm]	11 x 6 [279 x 152]	11 x 6 [279 x 152]	11 x 7 [279 x 178]	11 x 7 = 10*AM [279 x 178]	11 x 10 [279 x 254]	11 x 10 [279 x 254]	11 x 10 [279 x 254]	11 x 10 [279 x 254]
Motor H.P. [W]—Speeds [W]—PSC Type	1/2-4-PSC [373]	1/2-3-PSC [373]	3/4-3-PSC [559]	1/2-3-PSC [373]	1/2-3-PSC [373]	3/4-3-PSC [559]	3/4-3-PSC [559]	3/4-3-PSC [559]
Motor Full Load Amps	6.8	5.8	9.5	7.1	7.9	9.5	9.5	9.5
Heating Speed	LOW	MEDIUM	LOW	MED	MED	LOW	LOW	LOW
Cooling Speed	HIGH	HIGH	HIGH	HIGH	HIGH	HIGH	HIGH	HIGH
Cooling CFM @ .5" [kPa] E.S.P. (Nominal) [L/s]	1200 [566]	1200 [566]	1600 [755]	1200 [566]	2000 [944]	2000 [944]	2000 [944]	2000 [944]
Rated E.S.P. (In. W.C.) [kPa]	0.5 [.12]	0.5 [.12]	0.5 [.12]	0.5 [.12]	0.5 [.12]	0.5 [.12]	0.5 [.12]	0.5 [.12]
Temperature Rise Range °F [°C]	25-55 [13.9-30.6]	30-60 [16.7-33.3]	25-55 [13.9-30.6]	45-75 [25-41.7]	40-70 [22.2-38.9]	40-70 [22.2-38.9]	40-70 [22.2-38.9]	50-80 [27.8-44.4]
Max. Outlet Air Temp. °F [°C]	155 [68.3]	165 [73.9]	155 [68.3]	190 [87.8]	190 [87.8]	170 [76.7]	180 [82.2]	170 [76.7]
Standard Filter [mm]	(1) 14 x 20 [356 x 508]	(2) 12 x 20 [305 x 508]	(2) 12 x 20 [305 x 508]	(2) 12 x 20 [305 x 508]	(2) 12 x 20 [305 x 508]	(2) 14 x 20 [356 x 508]	(2) 14 x 20 [356 x 508]	(2) 14 x 20 [356 x 508]
Approx. Shipping Weight (Lbs.) [kg]	85 [38.6]	105 [47.6]	105 [47.6]	115 [52.2]	120 [54.4]	120 [54.4]	140 [63.5]	150 [68.0]
AFUE—Electric Ignition Models ①	80%	80%	80%	80%	80%	80%	80%	80%

NOTES: All models are 115V, 60HZ, 1Ø. Gas connection size for all models is 1/2" N.P.T.

① In accordance with D.O.E. test procedures.

② See Conversion Kit Index Form for high altitude derate in U.S. applications. For Canadian applications, reference the furnace installation instructions.

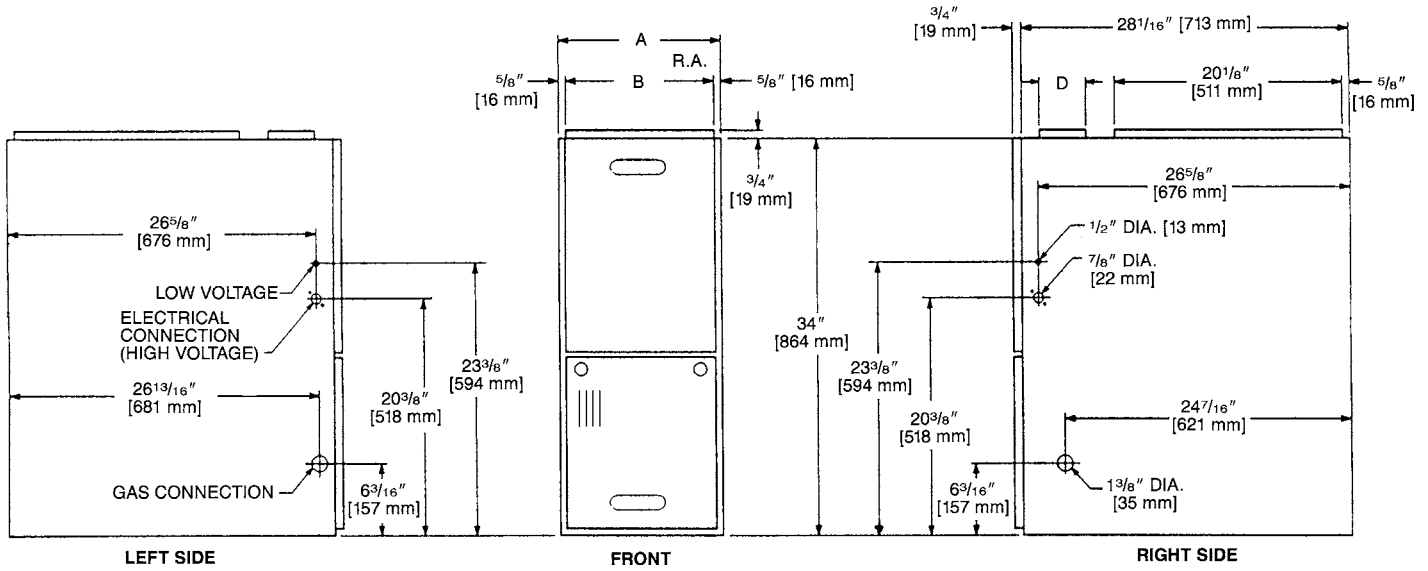
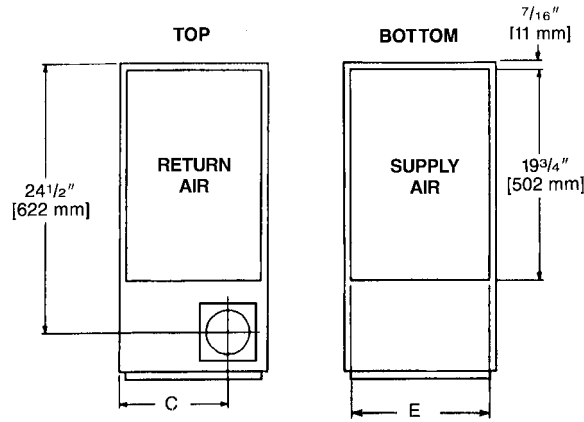
[] Designates Metric Conversions

Model Number Identification—Downflow Models

R	G	L	S	—	07E	A	M	G	R
Rheem	Gas Furnace	S = Downflow Tier III	Design Series L = 2nd Design Series		Heating Input Designation	Variations	Blower Designation	Heating & Cooling Designation	Fuel Type
					Electric	A = Std. Cabinet	U = 11 x 6 [279 x 152 mm]	E = 1100-1300(3R)	R = Natural Gas, - CSA -
					Electric <u>Ignition</u>	B = Wide Cabinet	M = 11 x 7 [279 x 178 mm]	G = 1500-1700(4R)	U.S. and Canada (North American)
					Ignition— <u>NO_x</u>		R = 11 x 10 [279 x 254 mm]	J = 1900-2100(5R)	
					Input <u>BTU/HR</u>				
					05E 05N 50,000 [15 kW]				
					07E 07N 75,000 [22 kW]				
					10E 10N 100,000 [29 kW]				
					12E 12N 125,000 [37 kW]				
					15E 15N 150,000 [44 kW]				

[] Designates Metric Conversions

Downflow Dimensions



Dimensions and Clearance to Combustible Material (inches) [mm]

MODEL RGLS-SERIES	A	B	C	D	E	REDUCED CLEARANCES (IN.) [mm]						SHIP. WGTS. (LBS.) [kg]
						LEFT SIDE	RIGHT SIDE	BACK	TOP	FRONT	VENT	
05	14 [356]	12 ²⁷ / ₃₂ [326]	10 ³ / ₈ [264]	①	13 ¹ / ₈ [333]	0	4 ②	0	1 [25]	3 [76]	6 [152] ③	85 [38.6]
07EAU & 07EBM	17 ¹ / ₂ [445]	16 ¹¹ / ₃₂ [415]	12 ¹ / ₈ [308]	①	16 ⁵ / ₈ [422]	0	3 ②	0	1 [25]	3 [76]	6 [152] ③	105 [47.6]
10EA	17 ¹ / ₂ [445]	16 ¹¹ / ₃₂ [415]	12 ¹ / ₈ [308]	①	16 ⁵ / ₈ [422]	0	3 ②	0	1 [25]	3 [76]	6 [152] ③	115 [52.2]
10EBRG & 10EBRJ	21 [533]	19 ²⁷ / ₃₂ [504]	13 ⁷ / ₈ [352]	①	20 ¹ / ₈ [511]	0	0	0	1 [25]	3 [76]	6 [152] ③	120 [54.4]
12	24 ¹ / ₂ [622]	23 ¹¹ / ₃₂ [593]	15 ⁵ / ₈ [397]	①	23 ⁵ / ₈ [600]	0	0	0	1 [25]	3 [76]	6 [152] ③	140 [63.5]
15	24 ¹ / ₂ [622]	23 ¹¹ / ₃₂ [593]	15 ⁵ / ₈ [397]	①	23 ⁵ / ₈ [600]	0	0	0	1 [25]	3 [76]	6 [152] ③	150 [68]

NOTES: ① May require a 3" [76 mm] to 4" [102 mm] or 3" [76 mm] to 5" [127 mm] adapter.

② May be 0" [0 mm] with type B vent.

③ May be 1" [25 mm] with type B vent.

Furnaces must be vented in accordance with the National Fuel Gas Code, ANSI Z223.1 and/or Can/CGA-B149 Installation Codes and in accordance with local codes.

[] Designates Metric Conversions



Air

Blower Performance Data—Downflow Models

MODEL NUMBER RGLS-SERIES	BLOWER SIZE [mm]	MOTOR H.P. [W]	BLOWER SPEED	CFM [L/s] AIR DELIVERY EXTERNAL STATIC PRESSURE INCHES [kPa] WATER COLUMN						
				.1 [.02]	.2 [.05]	.3 [.07]	.4 [.10]	.5 [.12]	.6 [.15]	.7 [.17]
05EAUER	11 x 6 [279 x 152]	1/2 [373]	LOW	735 [347]	715 [337]	690 [326]	660 [311]	635 [300]	605 [286]	575 [271]
			MED-LO	1025 [484]	1015 [479]	995 [470]	975 [460]	955 [451]	930 [439]	905 [427]
			MED-HI HIGH	1185 [559] 1345 [635]	1165 [550] 1330 [628]	1150 [543] 1310 [618]	1130 [533] 1295 [611]	1100 [519] 1265 [597]	1075 [507] 1235 [583]	1040 [491] 1205 [569]
07EAUER	11 x 6 [279 x 152]	1/2 [373]	LOW	1104 [529]	1081 [510]	1050 [496]	1025 [484]	999 [471]	971 [458]	940 [444]
			MED	1284 [606]	1269 [599]	1236 [583]	1206 [569]	1179 [556]	1139 [538]	1102 [520]
			HIGH	1478 [698]	1438 [679]	1397 [659]	1362 [643]	1392 [657]	1282 [605]	1242 [586]
07EAMGR	11 x 7 [279 x 178]	1/2 [373]	LOW	1210 [571]	1205 [569]	1195 [564]	1180 [557]	1165 [550]	1155 [545]	1130 [533]
			MED	1580 [746]	1560 [736]	1550 [732]	1530 [722]	1495 [706]	1465 [691]	1430 [675]
			HIGH	1915 [904]	1880 [887]	1825 [861]	1790 [845]	1740 [821]	1675 [791]	1600 [755]
10EAMER	11 x 7 [279 x 178]	1/2 [373]	LOW	1070 [505]	1055 [498]	1040 [491]	1010 [477]	980 [463]	945 [446]	905 [427]
			MED	1240 [585]	1210 [571]	1190 [562]	1165 [550]	1135 [536]	1095 [517]	1055 [498]
			HIGH	1420 [670]	1395 [658]	1370 [647]	1340 [632]	1305 [616]	1265 [597]	1220 [576]
10EBRGR	11 x 10 [279 x 254]	1/2 [373]	LOW	1303 [615]	1304 [615]	1280 [604]	1250 [590]	1222 [577]	1188 [557]	1160 [547]
			MED	1697 [801]	1674 [790]	1655 [781]	1638 [773]	1621 [765]	1581 [746]	1542 [728]
			HIGH	2078 [981]	2068 [976]	2037 [961]	2010 [949]	1988 [938]	1938 [915]	1898 [896]
10EBRJR	11 x 10 [279 x 254]	3/4 [559]	LOW	1690 [798]	1670 [788]	1655 [781]	1615 [762]	1585 [748]	1565 [739]	1525 [720]
			MED	—	2085 [984]	2055 [970]	2005 [946]	1970 [930]	1945 [918]	1880 [887]
			HIGH	—	2410 [1137]	2355 [1111]	2305 [1088]	2240 [1057]	2165 [1022]	2100 [991]
12EARJR	11 x 10 [279 x 254]	3/4 [559]	LOW	—	1690 [798]	1660 [783]	1635 [772]	1580 [746]	1535 [724]	1480 [698]
			MED	—	2090 [986]	2035 [960]	1985 [937]	1930 [911]	1850 [873]	1785 [842]
			HIGH	—	2395 [1130]	2335 [1102]	2260 [1067]	2185 [1031]	2080 [982]	1965 [927]
15EARJR	11 x 10 [279 x 254]	3/4 [559]	LOW	1675 [791]	1650 [779]	1620 [765]	1570 [741]	1545 [729]	1485 [701]	1425 [673]
			MED	2105 [993]	2075 [979]	2035 [960]	1990 [939]	1955 [923]	1900 [897]	1815 [857]
			HIGH	—	—	—	—	—	—	—

NOTES: Recommended blower speeds are in bold.

[] Designates Metric Conversions

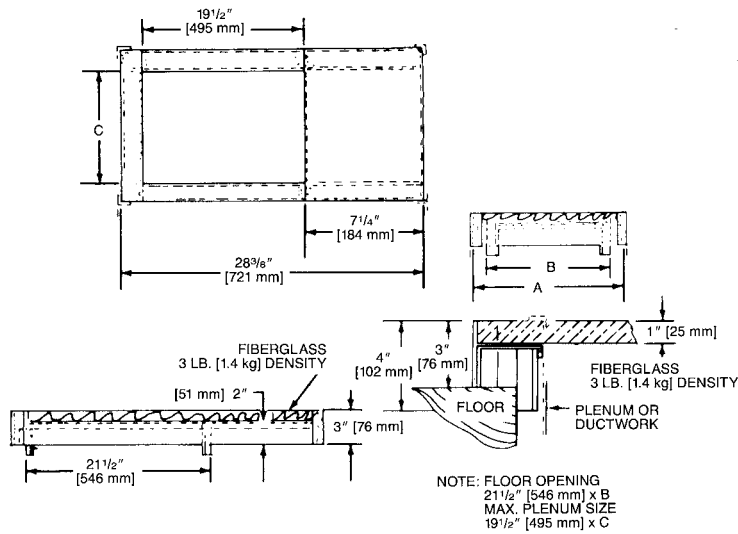


DOWNFLOW ACCESSORIES

DOWNFLOW WARNING: Unit design is certified for installation on non-combustible floor. A special factory supplied combustible floor sub-base is required when installing on a combustible floor. Failure to install the sub-base may result in fire, property damage and personal injury.

COMBUSTIBLE FLOOR BASE DIMENSIONS

COMBUSTIBLE FLOOR BASE	USE WITH FURNACE SIZES	A IN. [mm]	B IN. [mm]	C IN. [mm]
RXGC-B14	80LS-05	14 ¹ / ₂ [368]	13 ¹ / ₄ [337]	11 ¹ / ₄ [286]
RXGC-B17	80LS-07, 80LS-10(-)EB	18 [457]	16 ³ / ₄ [425]	14 ³ / ₄ [451]
RXGC-B21	80LS-10ED	21 ¹ / ₂ [546]	20 ¹ / ₄ [514]	18 ¹ / ₄ [464]
RXGC-B24	80LS-12, 80LS-15	25 [635]	23 ³ / ₄ [603]	21 ³ / ₄ [552]



GXGP-F03

PARALLEL FURNACE KITS—are for parallel operation requirements.

RXPF-F01 and F02

FOSSIL FUEL KITS—are for use with Rheem Value Series Heat Pumps and 80% warm air furnaces. The RXPF-F02 meets TVA requirements.

RXGF-CC*

FILTER RACK—Downflow top return mount.

NOTE: Filter racks are shipped without filters.

*Filters available through PROSTOCK®.

RXGF-DB*

Each order contains (1) one box of 10 filter racks supplied without filters.

*Filters available through PROSTOCK®.

FOR HIGH ALTITUDES:

HIGH ALTITUDE OPTION CODE: U.S. & Canada – None required for high altitudes.

HIGH ALTITUDE CONVERSION KITS: U.S. & Canada – None required for high altitudes.

80+ HIGH ALTITUDE INSTRUCTIONS

Caution: Always follow National Fuel Gas Code (NFGC) guidelines when converting for high altitudes.

High altitude option codes are not required for these models. However, the burner orifice size needs to be recalculated and verified at elevations above 2000 ft. See Installation Instructions for more information.

NOTE: For Canadian installations only, an optional derate (manifold gas pressure reduction) method may be used to adjust the furnace for altitude. See Installation Instructions for more information. This optional method may NOT be used for U.S. installations.

[] Designates Metric Conversions

GENERAL TERMS OF LIMITED WARRANTY*

Rheem will furnish a replacement for any part of this product which fails in normal use and service within the applicable period stated, in accordance with the terms of the limited warranty.

***For complete details of the Limited and Conditional Warranties, including applicable terms and conditions, contact your local contractor or the Manufacturer for a copy of the product warranty certificate.**

Heat ExchangerTwenty (20) Years
Conditional Parts (Registration Required)Ten (10) Years



The new degree of comfort.™

In keeping with its policy of continuous progress and product improvement, Rheem reserves the right to make changes without notice.

Rheem Heating, Cooling & Water Heating • P.O. Box 17010
Fort Smith, Arkansas 72917 • www.rheem.com

Rheem Canada Ltd./Ltée • 125 Edgeware Road, Unit 1
Brampton, Ontario • L6Y 0P5



INTEGRATED HOME COMFORT

PRINTED IN U.S.A 04/12 QG FORM NO. G11-521