



The new degree of comfort.™

Rheem Value Series Upflow/Horizontal Gas Furnace

RGPS- Series

80% A.F.U.E.†

Input Rates 50-150 kBTU



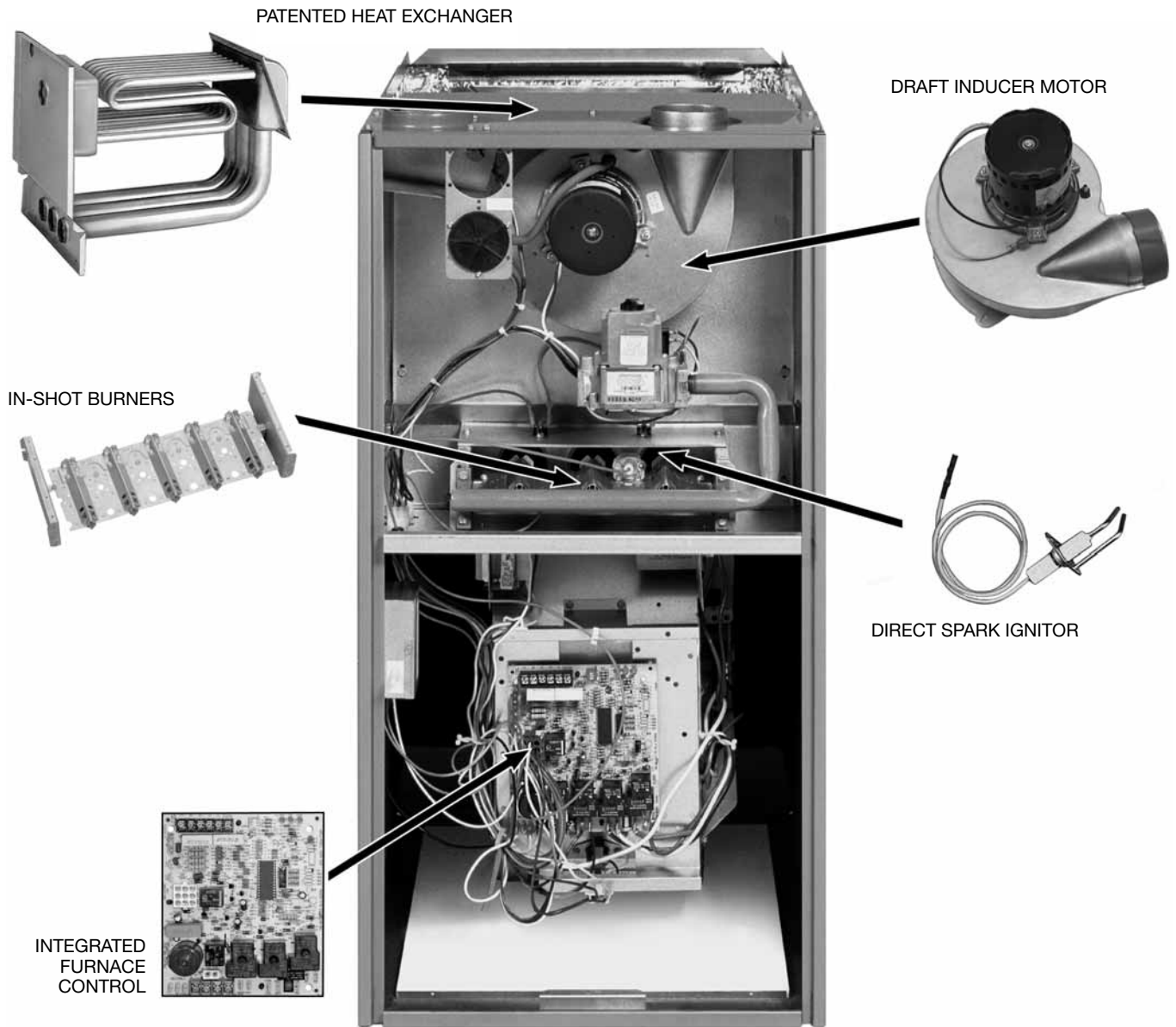
†A.F.U.E. (Annual Fuel Utilization Efficiency) calculated in accordance with Department of Energy test procedures.

- The Rheem *Value Series* line of upflow/horizontal gas furnaces are designed for utility rooms, closets, alcoves, or attics. **Because of the model's low-profile 34 inch [864 mm] height, the upflow model can also be used to satisfy most applications that traditionally call for a horizontal furnace.**
- The design is certified by CSA International.
- Unique solid door design leads to quiet operation.
- Patented heat exchanger, constructed of both stainless and aluminized steel for the maximum in corrosion resistance.
- Low profile "34 inch" [864 mm] design is lighter and easier to handle, and leaves room for optional equipment.
- Convertible from upflow to horizontal left or right without field conversion.
- Left or right side gas and electric inlet connections allow quick and simple change.
- Direct spark ignition with remote sense, features a integrated board with an electronic air cleaner hookup.
- Prepaint galvanized steel cabinet.
- A slow-open gas valve and a specially designed draft inducer motor make it one of the quietest furnaces on the market today.
- Grab-holes in doors to aid in easy door removal and replacement.
- A variety of cooling coils and plenums designed to use with Rheem *Value Series* gas furnaces are available as optional accessories.



TABLE OF CONTENTS

Standard & Optional Equipment	3
Model Features/Physical Data & Specifications.....	4
Model Number Identification	5
Dimensional Data	6-7
Blower Performance Data.....	8
Accessories.....	9
Limited Warranty	10



STANDARD EQUIPMENT

Completely assembled and wired; induced draft; pressure switch; redundant main gas control; blower compartment door safety switch; solid state time on/time off blower control; limit control; manual shut-off valve, pressure regulator for natural and L.P. (propane) gas; transformer; direct drive multi-speed blower motor. Furnaces are equipped with cooling/heating relay and transformer (40VA) ready for air conditioning applications. (Please note: a thermostat is not included as standard equipment.) Flame sensor diagnostics.

OPTIONAL EQUIPMENT

Twining Kit

Side and bottom filter frame assembly. Return air cabinet for all sizes.
NOTE: Furnace is not listed for use with fuels other than natural or L.P. (propane) gas.

The complete terms of limited and other warranties are available at our sales office, or through local installer.

All models can be converted by a qualified Rheem distributor or local service dealer to use L.P. (propane) gas without changing burners. Factory approved kits must be used to convert from natural to L.P. (propane) gas and may be ordered as optional accessories from a Rheem parts distributor.

For L.P. (propane) operation, refer to Conversion Kit Index Form.

NOTE: For natural and L.P. (propane) gas models, standard hot surface ignition is 100% safety lockout type.

WARNING
THIS FURNACE IS NOT APPROVED
OR RECOMMENDED
FOR USE IN MOBILE HOMES



Model Features

- The design is certified by CSA International.
- Unique solid door design leads to quiet operation.
- Patented heat exchanger, constructed of both stainless and aluminized steel for the maximum in corrosion resistance.
- Low profile “34 inch” [864 mm] design is lighter and easier to handle, and leaves room for optional equipment.
- Convertible from upflow to horizontal left or right without field conversion.
- Left or right side gas and electric inlet connections allow quick and simple change.
- Direct spark ignition with remote sense, features a integrated board with an electronic air cleaner hookup.
- Prepaint galvanized steel cabinet.
- A slow-open gas valve and a specially designed draft inducer motor make it one of the quietest furnaces on the market today.
- Grab-holes in doors to aid in easy door removal and replacement.

Physical Data and Specifications

MODEL NUMBERS RGPS- SERIES	05EAUER 05NAUER	07EAMER 07NAMER	07EAMGR 07NAMGR	10EAMER	10EBRGR	10EBRJR 10NBRJR	12EARJR	15EARJR
Input-BTU/Hr [kW] ②	50,000 [15]	75,000 [22]	75,000 [22]	100,000 [29]	100,000 [29]	100,000 [29]	125,000 [37]	150,000 [44]
Heating Capacity BTU/Hr [kW] ①	41,000 [12]	60,000 [18]	60,000 [18]	80,000 [23]	80,000 [23]	80,000 [23]	99,000 [29]	119,000 [35]
Heat Ext. Static Pressure [kPa]	.10 [.025]	.12 [.029]	.12 [.029]	.15 [.037]	.15 [.037]	.15 [.037]	.20 [.05]	.20 [.05]
Blower (D x W) [mm]	11 x 6 [279 x 152]	11 x 7 [279 x 178]	11 x 7 [279 x 178]	11 x 7 [279 x 178]	11 x 10 [279 x 254]	11 x 10 [279 x 254]	11 x 10 [279 x 254]	11 x 10 [279 x 254]
Motor H.P.–Speed– PSC Type [W]	1/2-4-PSC [373]	1/2-3-PSC [373]	1/2-3-PSC [373]	1/2-3-PSC [373]	1/2-3-PSC [373]	3/4-3-PSC [560]	3/4-3-PSC [560]	3/4-3-PSC [560]
Motor Full Load Amps	6.8	5.8	7.9	7.1	7.9	9.5	9.5	9.5
Heating Speed	Med-Low	Med	Med	Med	Med	Low	Low	Low
Cooling Speed	High	High	High	High	High	Med	Med	Med
Cooling CFM @ .5" E.S.P. (Nominal) [L/s]	1200 [566]	1200 [566]	1600 [755]	1200 [566]	1845 [871]	2060 [922]	2115 [998]	2080 [982]
Max. E.S.P. (In. W.C.) [kPa]	0.5 [.12]	0.5 [.12]	0.5 [.12]	0.5 [.12]	0.5 [.12]	0.5 [.12]	0.5 [.12]	0.5 [.12]
Temperature Rise Range °F [°C]	25-55 [13.9-30.6]	35-65 [19.4-36.1]	25-55 [13.9-30.6]	45-75 [250-41.7]	30-60 [16.7-33.3]	30-60 [16.7-33.3]	35-65 [19.4-36.1]	50-80 [27.8-44.4]
Max. Outlet Air Temp. °F [°C]	155 [68.3]	165 [73.8]	155 [68.3]	190 [87.7]	170 [76.6]	170 [76.6]	180 [82.2]	190 [87.7]
Approx. Shipping Weight (Lbs.) [kg]	85 [39]	105 [48]	105 [48]	115 [52]	120 [54]	120 [54]	140 [63]	150 [68]
Standard Filter (In.) [mm]	15 ³ / ₄ x 25 [400 x 635]	15 ³ / ₄ x 25 [400 x 635]	15 ³ / ₄ x 25 [400 x 635]	15 ³ / ₄ x 25 [400 x 635]	19 ¹ / ₄ x 25 [489 x 635]	19 ¹ / ₄ x 25 [489 x 635]	22 ³ / ₄ x 25 [578 x 635]	22 ³ / ₄ x 25 [578 x 635]
Return Air Cabinets (Opt.) RXGR- Filter Size [mm]	C14B (2) 12 x 16 [305 x 406]	C17B (2) 12 x 16 [305 x 406]	C17B (2) 12 x 16 [305 x 406]	C17B (2) 12 x 16 [305 x 406]	C21B (2) 20 x 16 [508 x 406]	C21B (2) 20 x 16 [508 x 406]	C24B (2) 24 x 16 [610 x 406]	C24B (2) 24 x 16 [610 x 406]
AFUE–H.S.I. Models ①	80.0%	80.0%	80.0%	80.0%	80.0%	80.0%	80.0%	80.0%

NOTES: All models are 115V, 60HZ, 1 Ph. Gas connection size for all models is 1/2" [12 mm] N.P.T.

① In accordance with D.O.E. test procedures.

② See Conversion Kit Index Form for high altitude derate.

[] Designates Metric Conversions



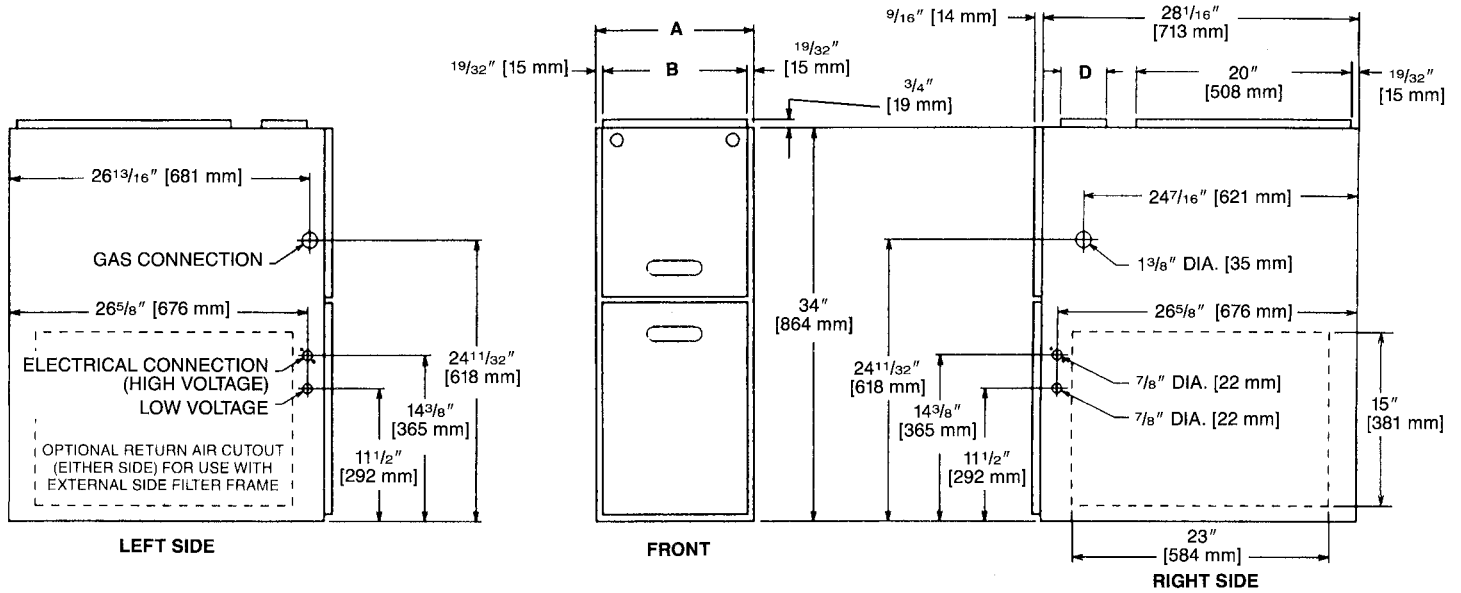
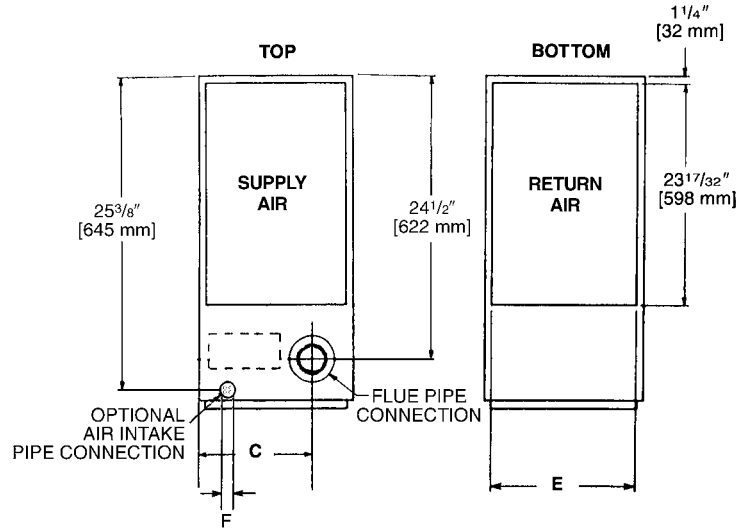


Model Number Identification

<u>R</u>	<u>G</u>	<u>P</u>	<u>S</u>	—	<u>07E</u>	<u>A</u>	<u>M</u>	<u>G</u>	<u>R</u>
Rheem	Gas Furnace	P = Upflow/ Horizontal Multi- Positional Tier III	Design Series S = 2nd Design Series		Heating Input Designation Electric Ignition Input	Variations A = Standard Cabinet B = Wide Cabinet	Blower Designation [mm] U = 11 x 6 [279 x 152] M = 11 x 7 [279 x 178] R = 11 x 10 [279 x 254]	Heating & Cooling Designation E = 1100-1300(3R) G = 1500-1700(4R) J = 1900-2100(5R)	Fuel R = Natural Gas - CSA - United States & Canada (North American)
					Electric Ignition				
					<u>05E</u>	<u>05N</u>	<u>50,000</u> [15]		
					<u>07E</u>	<u>07N</u>	<u>75,000</u> [22]		
					<u>10E</u>	<u>10N</u>	<u>100,000</u> [28]		
					<u>12E</u>	<u>12N</u>	<u>125,000</u> [37]		
					<u>15E</u>	<u>15N</u>	<u>150,000</u> [44]		

[] Designates Metric Conversions

Upflow Application



Dimensional Data: Upflow Model

MODEL RGPS-	A	B	C	D	E	F	REDUCED CLEARANCE (IN.) [mm]						
							LEFT SIDE	RIGHT SIDE	BACK	TOP	FRONT	VENT	SHIP. WGTs. (LBS.) [Kg]
05	14 [356]	12 ^{27/32} [326]	10 ^{5/8} [270]	①	11 1/2 [292]	1 7/8 [48]	0	4 [102] ②	0	1 [25]	3 [76]	6 [152] ③	85 [38.6]
07	17 1/2 [445]	16 ^{11/32} [415]	12 ^{3/8} [314]	①	15 [381]	2 1/2 [64]	0	3 [76] ②	0	1 [25]	3 [76]	6 [152] ③	105 [47.6]
10EA	17 1/2 [445]	16 ^{11/32} [415]	12 ^{3/8} [314]	①	15 [381]	2 1/2 [64]	0	3 [76] ②	0	1 [25]	3 [76]	6 [152] ③	115 [52.2]
10BRGR & 10EBRJR	21 [533]	19 ^{27/32} [504]	14 1/8 [359]	①	18 1/2 [470]	2 1/2 [64]	0	0	0	1 [25]	3 [76]	6 [152] ③	120 [54.4]
12	24 1/2 [622]	23 ^{11/32} [593]	15 7/8 [403]	①	22 [559]	2 1/2 [64]	0	0	0	1 [25]	3 [76]	6 [152] ③	140 [63.5]
15	24 1/2 [622]	23 ^{11/32} [593]	15 7/8 [403]	①	22 [559]	2 1/2 [64]	0	0	0	1 [25]	3 [76]	6 [152] ③	150 [68]

NOTES: ① May require a 3" [76 mm] to 4" [102 mm] or 3" [76 mm] to 5" [127 mm] adapter.

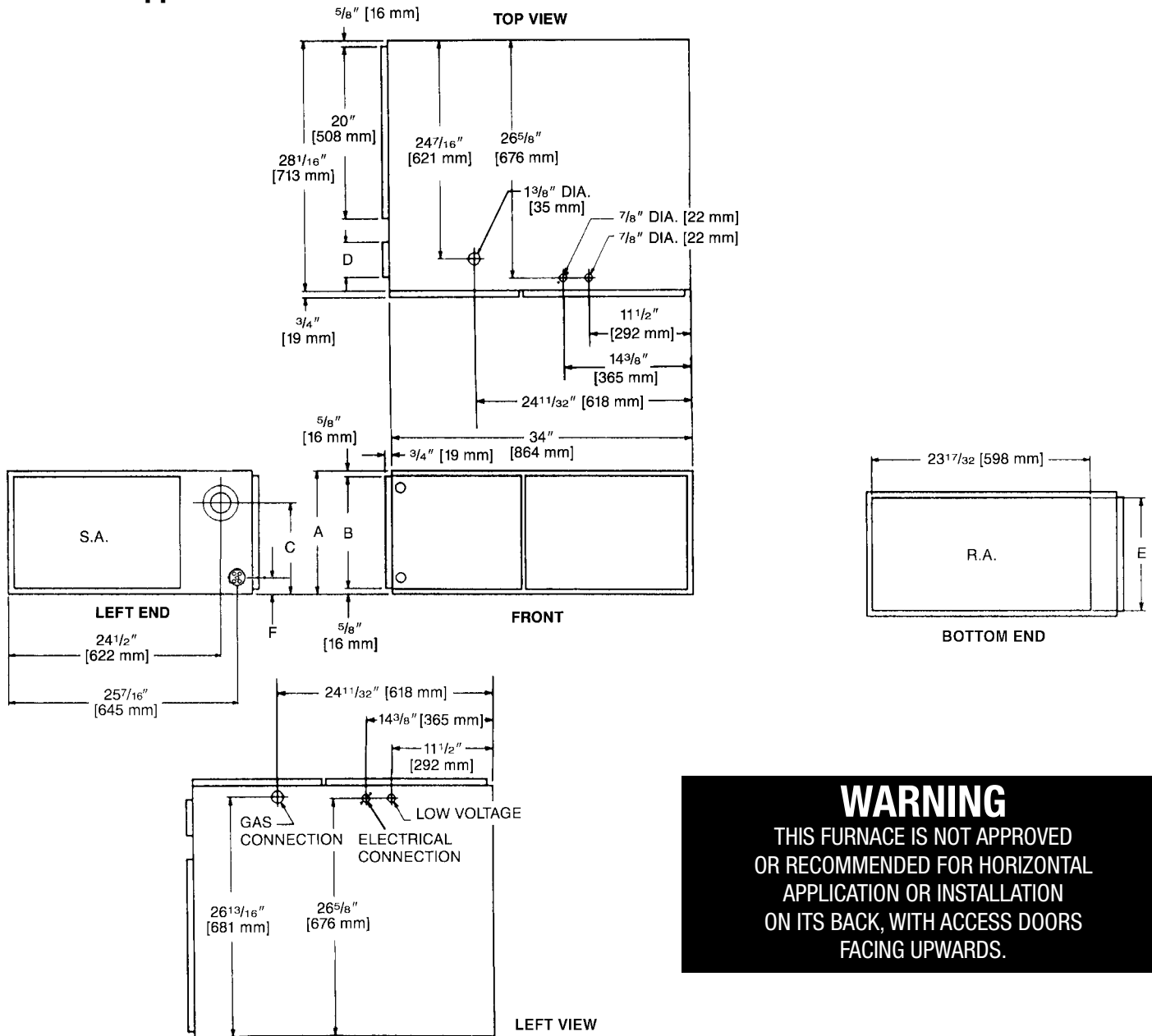
② May be 0" [0 mm] with type B vent.

③ May be 1" [25 mm] with type B vent.

Furnaces must be vented in accordance with the National Fuel Gas Code, ANSI Z223.1 and/or Can/CGA-B149 Installation Codes and in accordance with local codes.

[] Designates Metric Conversions

Horizontal Application



WARNING
THIS FURNACE IS NOT APPROVED OR RECOMMENDED FOR HORIZONTAL APPLICATION OR INSTALLATION ON ITS BACK, WITH ACCESS DOORS FACING UPWARDS.

Dimensional Data: Horizontal Model

MODEL RGPS-	A	B	C	D	E	F	REDUCED CLEARANCE (IN.) [mm]						SHIP. WGTS. (LBS.) [Kg]
							LEFT SIDE	RIGHT SIDE	BACK	TOP	FRONT	VENT	
05	14 [356]	12 27/32 [326]	10 5/8 [270]	⓪	11 1/2 [292]	1 7/8 [48]	0	4 [102] ②	0	1 [25]	3 [76]	6 [152] ③	85 [38.6]
07	17 1/2 [445]	16 1 1/32 [415]	12 3/8 [314]	⓪	15 [381]	2 1/2 [64]	0	3 [76] ②	0	1 [25]	3 [76]	6 [152] ③	105 [47.6]
10EA	17 1/2 [445]	16 1 1/32 [415]	12 3/8 [314]	⓪	15 [381]	2 1/2 [64]	0	3 [76] ②	0	1 [25]	3 [76]	6 [152] ③	115 [52.2]
10BRGR & 10EBRJR	21 [533]	19 27/32 [504]	14 1/8 [359]	⓪	18 1/2 [470]	2 1/2 [64]	0	0	0	1 [25]	3 [76]	6 [152] ③	120 [54.4]
12	24 1/2 [622]	23 1 1/32 [593]	15 7/8 [403]	⓪	22 [559]	2 1/2 [64]	0	0	0	1 [25]	3 [76]	6 [152] ③	140 [63.5]
15	24 1/2 [622]	23 1 1/32 [593]	15 7/8 [403]	⓪	22 [559]	2 1/2 [64]	0	0	0	1 [25]	3 [76]	6 [152] ③	150 [68]

NOTES: ① May require a 3" [76 mm] to 4" [102 mm] or 3" [76 mm] to 5" [127 mm] adapter.

② May be 0" [0 mm] with type B vent.

③ May be 1" [25 mm] with type B vent.

Furnaces must be vented in accordance with the National Fuel Gas Code, ANSI Z223.1 and/or Can/CGA-B149 Installation Codes and in accordance with local codes.

[] Designates Metric Conversions



Air

Blower Performance Data
RGPS Series

Blower Performance Data

MODEL NUMBER RGPS-SERIES	BLOWER SIZE [mm]	MOTOR H.P. [W]	BLOWER SPEED	CFM [L/s] AIR DELIVERY EXTERNAL STATIC PRESSURE [INCHES [kPa]] WATER COLUMN							
				.1 [.02]	.2 [.05]	.3 [.07]	.4 [.10]	.5 [.12]	.6 [.15]	.7 [.17]	
				05EAUER 05NAUER	11 x 6 [279 x 152]	1/2 [373]	LOW MED-LO MED-HI HIGH	675 [319] 950 [448] 1115 [526] 1270 [599]	655 [309] 930 [439] 1090 [514] 1250 [590]	635 [300] 905 [427] 1070 [505] 1225 [578]	610 [288] 880 [415] 1040 [491] 1200 [566]
07EAMER 07NAMER	11 x 7 [279 x 178]	1/2 [373]	LOW MED HIGH	1093 [563] 1241 [586] 1393 [657]	1066 [503] 1212 [572] 1359 [642]	1039 [490] 1183 [558] 1326 [626]	1008 [476] 1150 [543] 1293 [610]	977 [461] 1118 [528] 1259 [594]	941 [444] 1076 [508] 1214 [573]	905 [427] 1033 [487] 1169 [552]	
07EAMGR 07NAMGR	11 x 7 [279 x 178]	1/2 [373]	LOW MED HIGH	1245 [588] 1555 [734] 1810 [854]	1220 [576] 1515 [715] 1755 [828]	1195 [564] 1475 [696] 1705 [805]	1165 [550] 1435 [677] 1645 [776]	1135 [536] 1395 [658] 1585 [748]	1105 [522] 1350 [637] 1530 [722]	1065 [503] 1300 [614] 1470 [694]	
10EAMER	11 x 7 [279 x 178]	1/2 [373]	LOW MED HIGH	1050 [496] 1220 [576] 1410 [665]	1040 [491] 1195 [564] 1380 [651]	1030 [486] 1160 [547] 1345 [635]	990 [467] 1140 [538] 1300 [614]	960 [453] 1105 [522] 1255 [592]	920 [434] 1065 [503] 1205 [569]	890 [420] 1020 [481] 1150 [543]	
10EBRGR	11 x 10 [279 x 254]	1/2 [373]	LOW MED HIGH	1295 [611] 1645 [776] 2045 [965]	1275 [602] 1615 [762] 2000 [944]	1250 [590] 1580 [746] 1955 [923]	1225 [578] 1550 [732] 1905 [899]	1195 [564] 1510 [713] 1845 [871]	1165 [550] 1465 [691] 1785 [842]	1135 [536] 1425 [673] 1720 [812]	
10EBRJR 10NBRJR	11 x 10 [279 x 254]	3/4 [559]	LOW MED HIGH	1645 [776] 2045 [965] 2320 [1095]	1615 [762] 2000 [944] 2260 [1067]	1580 [746] 1955 [923] 2200 [1038]	1550 [732] 1905 [899] 2130 [1005]	1510 [713] 1845 [871] 2060 [972]	1465 [691] 1785 [842] 1985 [937]	1425 [673] 1720 [812] 1910 [901]	
12EARJR	11 x 10 [279 x 254]	3/4 [559]	LOW MED HIGH	1645 [776] 2050 [967] 2365 [1116]	1635 [772] 2015 [951] 2310 [1090]	1615 [762] 1980 [934] 2250 [1062]	1590 [750] 1935 [913] 2185 [1031]	1560 [736] 1885 [890] 2115 [998]	1520 [717] 1835 [866] 2035 [960]	1470 [694] 1775 [838] 1950 [920]	
15EARJR	11 x 10 [279 x 254]	3/4 [559]	LOW MED HIGH	1620 [765] 2010 [949] 2340 [1104]	1595 [753] 1985 [937] 2275 [1074]	1570 [741] 1960 [925] 2215 [1045]	1545 [729] 1915 [904] 2145 [1012]	1515 [715] 1850 [873] 2080 [982]	1480 [698] 1800 [850] 2010 [949]	1440 [680] 1730 [816] 1940 [916]	

Note: Recommended blower speeds are in bold.

[] Designates Metric Conversions



INTERNAL FILTER RACK FOR BOTTOM OR SIDE RETURN: RXGF-DA*

Each order contains (1) one box of 10 filter racks supplied without filters.

*Filters available through PROSTOCK®.

SIDE RETURN FILTER RACK: RXGF-CA

BOTTOM RETURN FILTER RACK FOR UPFLOW APPLICATION: RXGF-CB

FILTER RACK FILTER SIZES† INCHES [mm]	
MODEL RGPS-	RXGF-CA (SIDE)
05, 07, 10EA	15 ³ / ₄ x 25 [400 x 635]
10EBRGR & 10EBRJR	15 ³ / ₄ x 25 [400 x 635]
12, 15	15 ³ / ₄ x 25 [400 x 635]

†Filter racks are shipped without filters.

A 1" [25.4 mm] filter may be used.

*Designates "E" or "N".

RXPF-F01 and F02

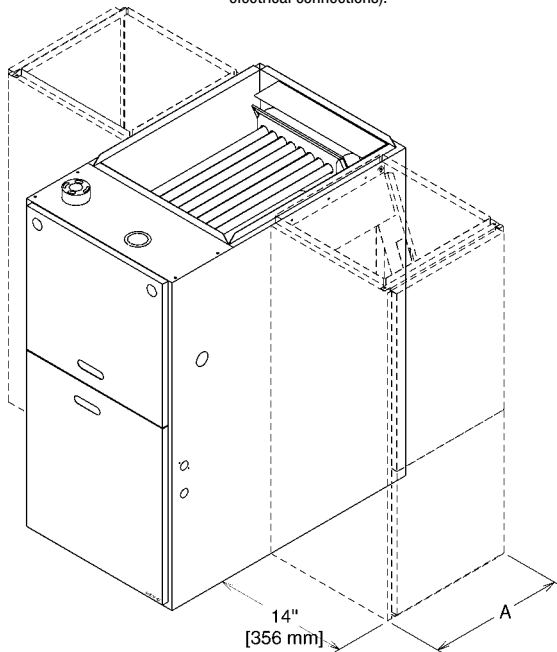
FOSSIL FUEL KIT—is for use with Rheem *Value Series* Heat Pumps and air furnaces. RXPF-F02 meets TVA requirements.

RXGP-F03

TWINNING KIT—is for parallel operation requirements.

ACCESSORY RETURN AIR CABINETS

Return Air Cabinets may be installed on either side application except RXGR-C24B (side application must be on side opposite gas and electrical connections).



THE RXGR-C24B MUST ONLY BE INSTALLED ON THE SIDE OPPOSITE THE GAS AND ELECTRICAL CONNECTIONS.

RETURN AIR CABINETS	A IN. [mm]	FILTER SIZE IN. [mm]
RXGR-C14B	14 [356]	(2) 12 x 16 [305 x 406]
RXGR-C17B	17 ¹ / ₂ [445]	(2) 12 x 16 [305 x 406]
RXGR-C21B	21 [533]	(2) 20 x 16 [508 x 406]
RXGR-C24B	24 ¹ / ₂ [622]	(2) 24 x 16 [610 x 406]

WARNING: IMPORTANT NOTICE			
A SOLID METAL BASE PLATE (SEE TABLE) MUST BE IN PLACE WHEN THE FURNACE IS INSTALLED WITH SIDE AIR RETURN DUCTS. FAILURE TO INSTALL A BASE PLATE COULD CAUSE PRODUCTS OF COMBUSTION TO BE CIRCULATED INTO THE LIVING SPACE AND CREATE POTENTIALLY HAZARDOUS CONDITIONS.			
FURNACE WIDTH IN. [mm]	SOLID BOTTOM KIT NO.	BASE PLATE NO.	BASE PLATE SIZE IN. [mm]
14 [356]	RXGB-D14	AE-61874-01	11 ⁵ / ₈ x 23 ⁹ / ₁₆ [295 x 598]
17 ¹ / ₂ [445]	RXGB-D17	AE-61874-02	15 ¹ / ₈ x 23 ⁹ / ₁₆ [384 x 598]
21 [533]	RXGB-D21	AE-61874-03	18 ⁵ / ₈ x 23 ⁹ / ₁₆ [473 x 598]
24 ¹ / ₂ [622]	RXGB-D24	AE-61874-04	25 ⁵ / ₈ x 23 ⁹ / ₁₆ [651 x 598]

FOR HIGH ALTITUDES:

OPTION CODE FOR HIGH ALTITUDE: U.S. & Canada

None required for high altitudes.

HIGH ALTITUDE CONVERSION KITS: U.S. & Canada

None required for high altitudes.

80+ HIGH ALTITUDE INSTRUCTIONS

CAUTION: Always follow National Fuel Gas Code (NFGC) guidelines when converting for high altitudes.

High altitude option codes are not required for these models. However, the burner orifice size needs to be recalculated and verified at elevations above 2000 ft. See Installation Instructions for more information.

NOTE: For Canadian installations only, an optional derate (manifold gas pressure reduction) method may be used to adjust the furnace for altitude. See Installation Instructions for more information. This optional method may **NOT** be used for U.S. installations.

[] Designates Metric Conversions

GENERAL TERMS OF LIMITED WARRANTY*

Rheem will furnish a replacement for any part of this product which fails in normal use and service within the applicable period stated, in accordance with the terms of the limited warranty.

***For complete details of the Limited and Conditional Warranties, including applicable terms and conditions, contact your local contractor or the Manufacturer for a copy of the product warranty certificate.**

Conditional Parts* (Registration Required)Ten (10) Years
Heat ExchangerTwenty (20) Years



The new degree of comfort.™

In keeping with its policy of continuous progress and product improvement, Rheem reserves the right to make changes without notice.

Rheem Heating, Cooling & Water Heating • P.O. Box 17010
Fort Smith, Arkansas 72917 • www.rheem.com

Rheem Canada Ltd./Ltée • 125 Edgeware Road, Unit 1
Brampton, Ontario • L6Y 0P5



INTEGRATED HOME COMFORT

PRINTED IN U.S.A 05/12 QG FORM NO. G11-520